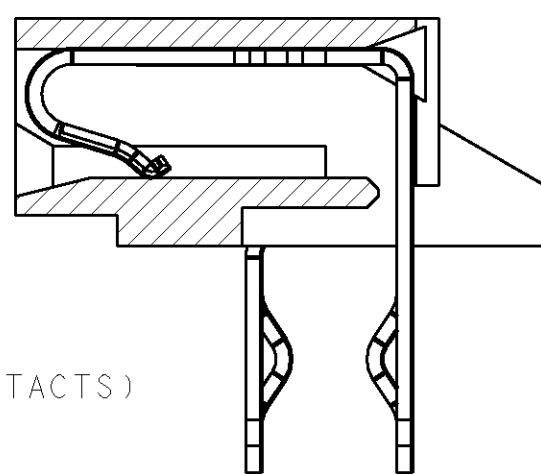
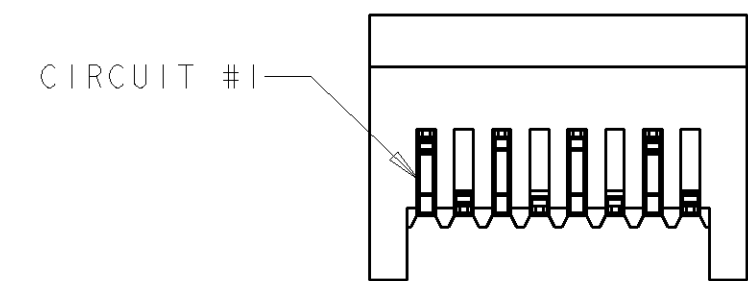
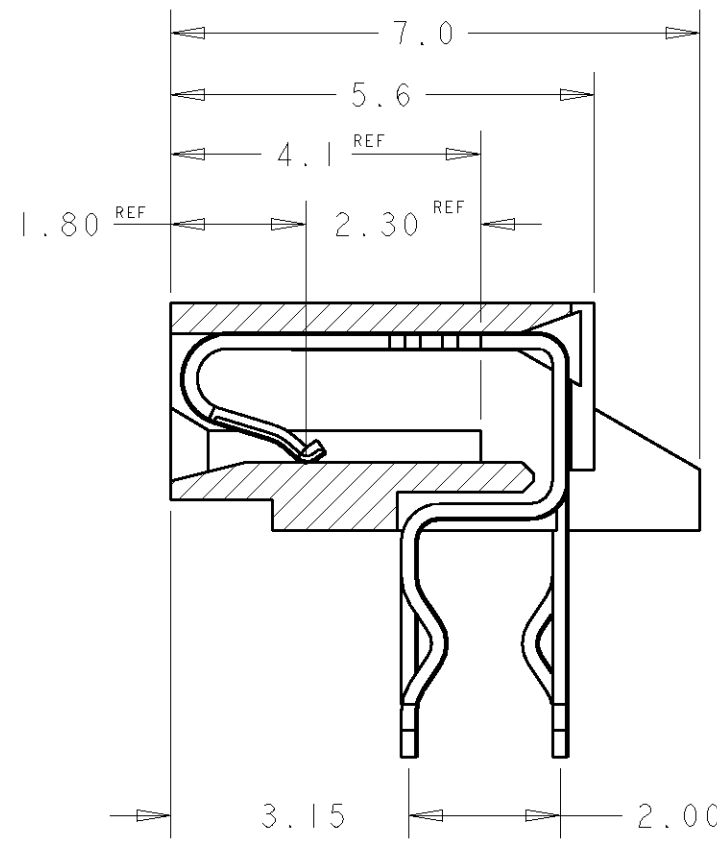
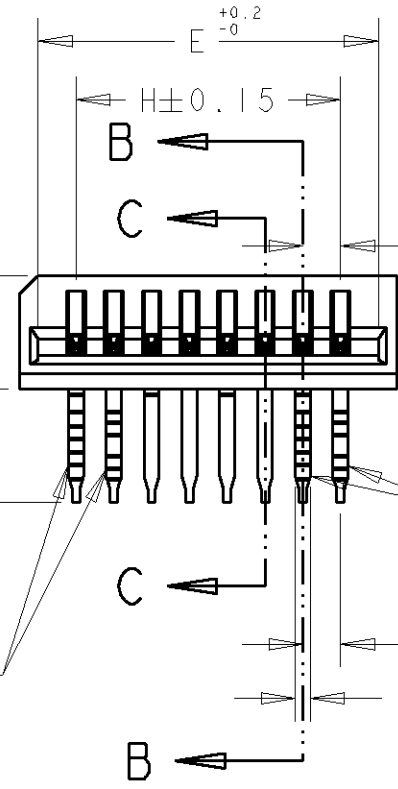
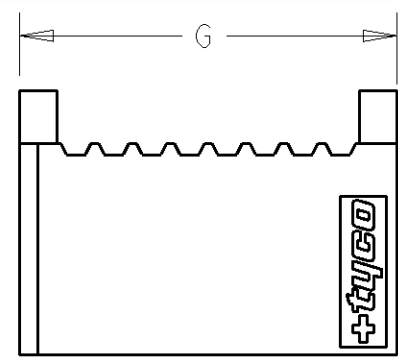


THIS DRAWING IS UNPUBLISHED. RELEASED FOR PUBLICATION .19
 © COPYRIGHT 19 BY AMP INCORPORATED. ALL RIGHTS RESERVED.

LOC	DIST	REVISIONS					
DY	-	P	LTR	DESCRIPTION	DATE	DWN	APVD
		EI		REVISED ECR-06-015824	29 JUN06	LWY	GKT

NOTES:

- 1 MATERIAL:
HOUSING: GLASS FILLED PBT, NATURAL COLOR (WHITE)
CONTACT: PHOSPHOR BRONZE
- 2 FINISH: MATTE TIN OVER NICKEL UNDERPLATE
- 3 KINK CONTACTS LOCATION:
8P & BELOW: ALL POSITIONS
9P & ABOVE: 4 CONTACTS (2 PAIRS) EACH END
- 4. PACKAGING: TUBE

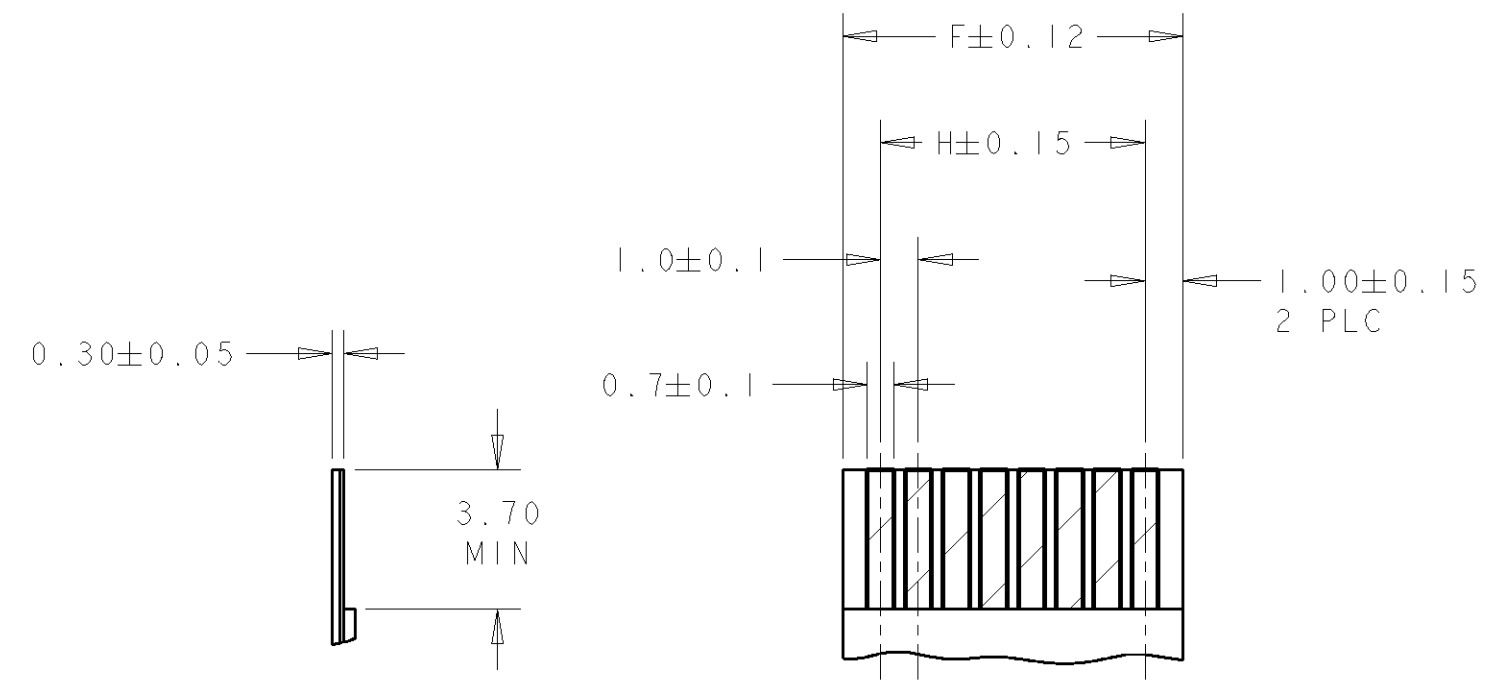


OBSOLETE	39.00	42.00	41.00	41.00	40	4-84983-0
	38.00	41.00	40.00	40.00	39	3-▲-9
	37.00	40.00	39.00	39.00	38	3--8
	36.00	39.00	38.00	38.00	37	3--7
	35.00	38.00	37.00	37.00	36	3--6
	34.00	37.00	36.00	36.00	35	3--5
	33.00	36.00	35.00	35.00	34	3--4
	32.00	35.00	34.00	34.00	33	3--3
	31.00	34.00	33.00	33.00	32	3--2
	30.00	33.00	32.00	32.00	31	3--1
ACTIVE	29.00	32.00	31.00	31.00	30	3-84983-0
	28.00	31.00	30.00	30.00	29	2-▲-9
	27.00	30.00	29.00	29.00	28	2--8
	26.00	29.00	28.00	28.00	27	2--7
	25.00	28.00	27.00	27.00	26	2--6
	24.00	27.00	26.00	26.00	25	2--5
	23.00	26.00	25.00	25.00	24	2--4
	22.00	25.00	24.00	24.00	23	2--3
	21.00	24.00	23.00	23.00	22	2--2
	20.00	23.00	22.00	22.00	21	2--1
	19.00	22.00	21.00	21.00	20	2-84983-0
	18.00	21.00	20.00	20.00	19	1-▲-9
	17.00	20.00	19.00	19.00	18	1--8
	16.00	19.00	18.00	18.00	17	1--7
	15.00	18.00	17.00	17.00	16	1--6
	14.00	17.00	16.00	16.00	15	1--5
	13.00	16.00	15.00	15.00	14	1--4
	12.00	15.00	14.00	14.00	13	1--3
	11.00	14.00	13.00	13.00	12	1--2
	10.00	13.00	12.00	12.00	11	1--1
9.00	12.00	11.00	11.00	10	1-84983-0	
8.00	11.00	10.00	10.00	9	▲-9	
7.00	10.00	9.00	9.00	8	-8	
6.00	9.00	8.00	8.00	7	-7	
5.00	8.00	7.00	7.00	6	-6	
4.00	7.00	6.00	6.00	5	-5	
3.00	6.00	5.00	5.00	4	84983-4	
STATUS	H	G	F	E	POS.	PART NO.

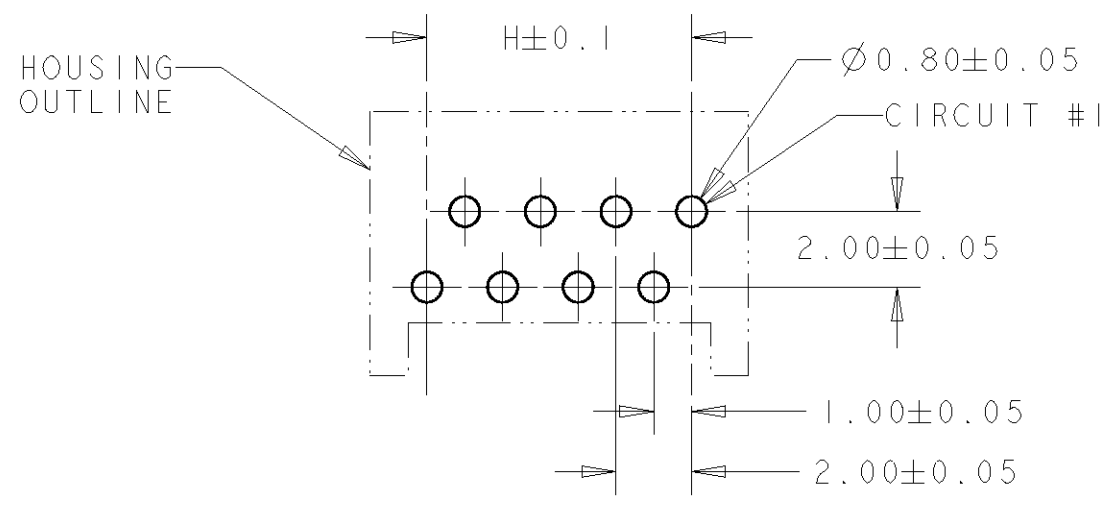
THIS DRAWING IS A CONTROLLED DOCUMENT FOR AMP INCORPORATED. IT IS SUBJECT TO CHANGE AND THE CONTROLLING ENGINEERING ORGANIZATION SHOULD BE CONTACTED FOR THE LATEST REVISION.		DWN WYLEE 15JUN04	Tyco Electronics Singapore Pte. Ltd.
DIMENSIONS: mm		CHK LP TAN	
TOLERANCES UNLESS OTHERWISE SPECIFIED:		APVD SF LEONG	NAME ASSY, 1.00mm FFC CONN DIP, H
0 PLC ±0.30		PRODUCT SPEC 108-51058	
1 PLC ±0.30		APPLICATION SPEC -	SIZE A3
2 PLC ±0.30		WEIGHT -	CAGE CODE 00779
3 PLC ±		MATERIAL 1	DRAWING NO C-84983
4 PLC ±			SCALE 5:1
ANGLES ±3°		FINISH 2	SHEET 1 OF 2
MATERIAL 1			CUSTOMER DRAWING

THIS DRAWING IS UNPUBLISHED. RELEASED FOR PUBLICATION .19 .
 © COPYRIGHT 19 BY AMP INCORPORATED. ALL RIGHTS RESERVED.

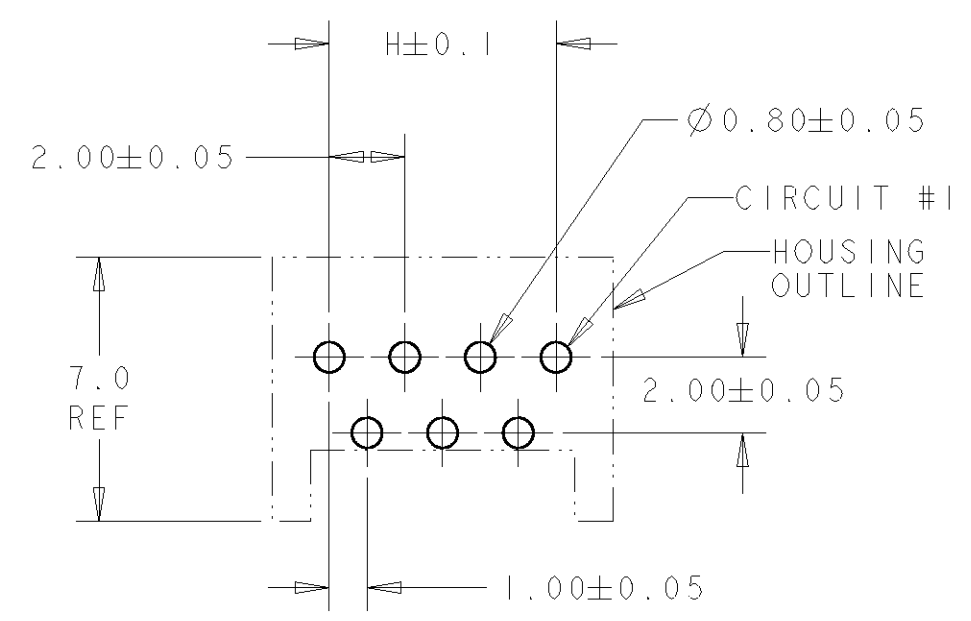
LOC	DIST	REVISIONS			
P	LTR	DESCRIPTION	DATE	DWN	APVD
DY	-	SEE SHEET 1			



RECOMMENDED FFC/FPC



RECOMMENDED PCB LAYOUT (THK= 1.6±0.1)
 (FOR EVEN POSITION CONNECTORS)
 NON-ACCUMULATIVE TOLERANCE



RECOMMENDED PCB LAYOUT (THK= 1.6±0.1)
 (FOR ODD POSITION CONNECTORS)
 NON-ACCUMULATIVE TOLERANCE

<small>THIS DRAWING IS A CONTROLLED DOCUMENT FOR AMP INCORPORATED. IT IS SUBJECT TO CHANGE AND THE CONTROLLING ENGINEERING ORGANIZATION SHOULD BE CONTACTED FOR THE LATEST REVISION.</small>		DWN WYLEE	15JUN04	Tyco Electronics Singapore Pte. Ltd.
DIMENSIONS: mm		CHK LP TAN	APVD SF LEONG	
		TOLERANCES UNLESS OTHERWISE SPECIFIED: 0 PLC ±0.30 1 PLC ±0.30 2 PLC ±0.30 3 PLC ± 4 PLC ± ANGLES ±3°		PRODUCT SPEC 108-51058 APPLICATION SPEC -
MATERIAL 1	FINISH 2	WEIGHT -	CUSTOMER DRAWING	SIZE A3 CAGE CODE 00779 DRAWING NO. C-84983
			SCALE 5:1	SHEET 2 OF 2 REV E1